

Multi-turn Dial

# D-14 Series

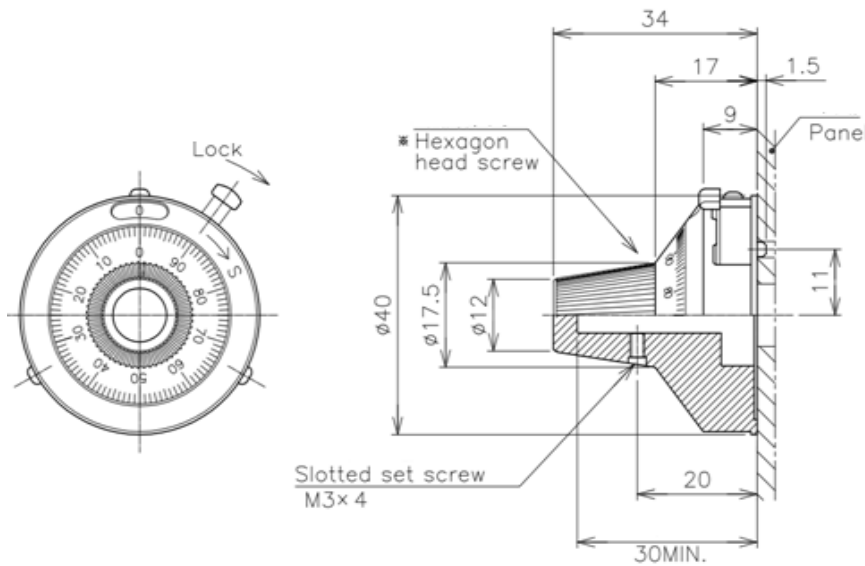


- Multi-turn Dial (analog)
- Use with HP-16 10-turn wire wound potentiometer

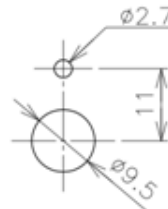
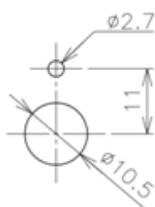
**[Material]**

- Housing : Zinc, Aluminum, Copper Alloy, POM

**Dimension (mm)**



**Mounting**



- Recommend Installation panel thickness

3.55 ~ 4.2mm

- Recommend Installation panel thickness

1.95 ~ 2.6mm

If Panel thickness is 2.6<3.55mm, please use spacers which are inner diameter 10.5mm to become 3.55~4.2mm thickness.

**[Specifications]**

Number Of Turns	20 Turns
Minor Scale Division	1/1000
Mass	Approx. 60g
Applicable Potentiometer	HP-16 (10-turn wire wound potentiometer)
Applicable Panel Thickness	1.95 ~ 4.2 mm

**Handling Instruction**

- Please turn the knob by hand.