

Multi-turn Dial

# D-12 Series

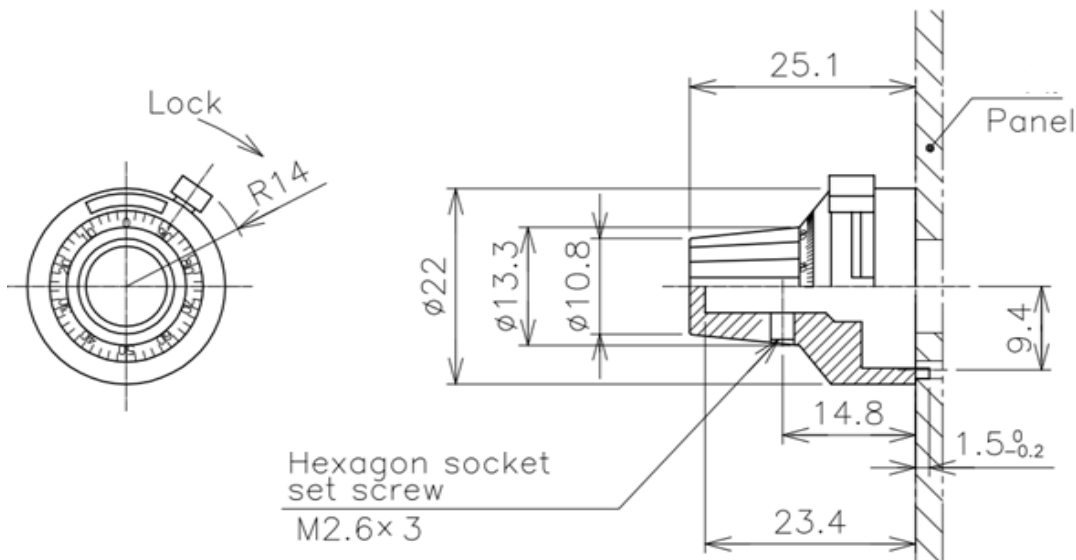


- Multi-turn Dial (analog)
- Use with HP-16 10-turn wire wound potentiometer

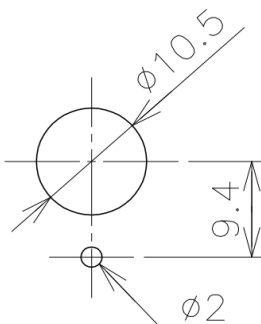
### 【Material】

- Housing : Zinc, Aluminum, Copper Alloy, POM

### ■ Dimension (mm)



### ■ Mounting



- Recommend Installation panel thickness: 2~6mm

### 【Specifications】

Number Of Turns	10 Turns
Minor Scale Division	1/500
Mass	Approx. 20g
Applicable Potentiometer	HP-16 (10-turn wire wound potentiometer)
Applicable Panel Thickness	2 ~ 6 mm

### ■ Handling Instruction

- Please turn the knob by hand