

Contactless Hall-IC Tilt Angle Sensor

UV-00H Service

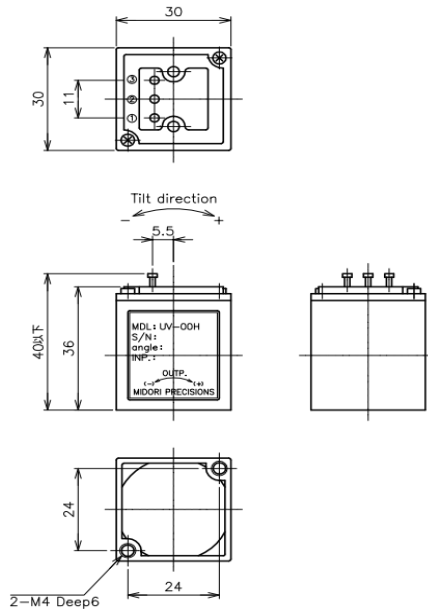


- Single Axis Tilt Angle Sensor
- Effective Electrical Tilt Angle : $\pm 30^\circ$
 $\pm 45^\circ$
 $\pm 60^\circ$ (Standard)
- Center Based Linearity : $\pm 2\%FS$ (Tilt Angle $\pm 30^\circ$)
 $\pm 4\%FS$ (Tilt Angle $\pm 45^\circ, \pm 60^\circ$)

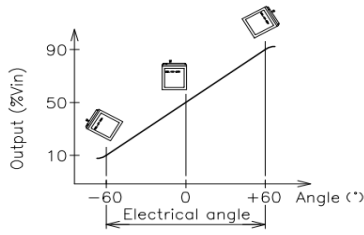
【Material】

- Housing : PBT

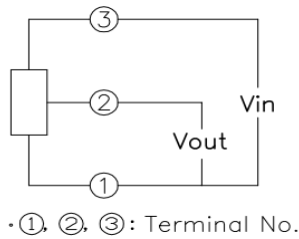
■ Dimension (mm)



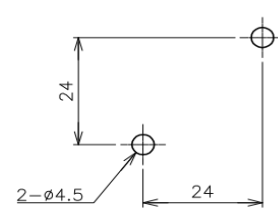
■ Output Characteristics



■ Schematic



■ Mounting



【Model No.】	UV-00H
--------------------	---------------

Electrical Specifications	
Effective Electrical Tilt Angle	$\pm 30^\circ, \pm 45^\circ, \pm 60^\circ$
Tilt Sensitivity	0.5° MAX. (Effective Electrical Tilt Angle: $\pm 30^\circ$) 0.8° MAX. (Effective Electrical Tilt Angle: $\pm 45^\circ, \pm 60^\circ$)
Output Sensitivity	0.54%Vin/°
Index Point	50% \pm 5%Vin
Center Based Linearity	$\pm 2\%$ FS (FS= $\pm 60^\circ$) / $\pm 4\%$ FS (FS= $\pm 90^\circ, \pm 120^\circ$)
Input Voltage	DC5V \pm 0.5V
Load Resistance	10K Ω MIN.
Supply Current	10mA MAX.
Insulation Resistance	100M Ω / DC50V MIN.
Temp. Characteristics -20°C~80°C (Reference Temp. 25°C)	At 0° : $\pm 2^\circ$ At $\pm 20^\circ$: $\pm 6^\circ$

Mechanical Specifications	
Response Time	(Step Response) Approx. 0.5 Sec.
Total Mechanical Tilt Angle	130 °
Mass	Approx. 35g

Environmental Specifications	
Category Temperature Range	-20~+80°C
Storage Temperature Range	-20~+80°C

■ Handling Instruction

- Do not use Hall-IC sensor as a variable resistor.
- This product may be influenced from external magnetic field.
- Use this sensor in the place where is protected from ESD.