

Contactless Hall-IC Tilt Angle Sensor

UV-3HF Series

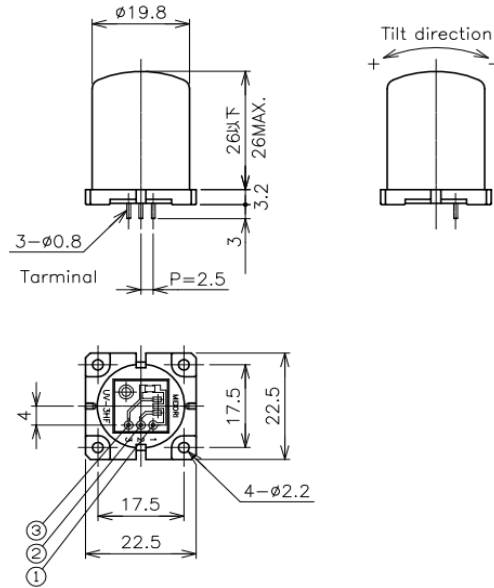


- Single Axis Tilt Angle Sensor
- Effective Electrical Tilt Angle : $\pm 20^\circ$
- Center Based Linearity : $\pm 4\%FS$

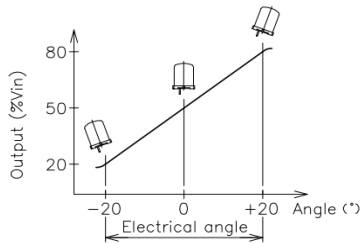
[Material]

- Housing : PBT
- Cover : Aluminum

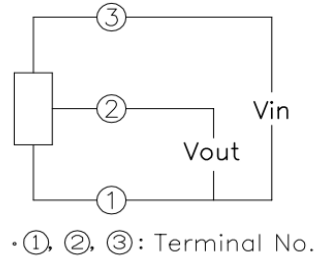
Dimension (mm)



Output Characteristics



Schematic



【Model No.】	UV-3HF
--------------------	---------------

Electrical Specifications	
Effective Electrical Tilt Angle	±20°
Tilt Sensitivity	0.5° MAX.
Output Range	20%~80%Vin
Output Sensitivity	1.05(~1.75)%Vin/°
Index Point	50%±5%Vin
Center Based Linearity	±4%FS (FS=40°)
Input Voltage	DC5V±0.5V
Load Resistance	10KΩ MIN.
Supply Current	10mA MAX.
Insulation Resistance	100MΩ/ DC50V MIN.
Temp. Characteristics -30°C~80°C (Reference Temp. 25°C)	At 0° : 0.5° At ±20° : 1.5°

Mechanical Specifications	
Response Time	1 Sec. MAX.
Total Mechanical Tilt Angle	±20° MIN.
Mass	Approx. 8g

Environmental Specifications	
Category Temperature Range	-30~+80°C
Storage Temperature Range	-30~+80°C

■ Handling Instruction

- Do not use Hall-IC sensor as a variable resistor.
- This product may be influenced from external magnetic field.
- Use this sensor in the place where is protected from ESD.