

Contactless Linear Sensor

CPP-45-150LS CPP-45-200LS



- Wire Extension Type Conductive Plastic Linear Sensor
- Effective Electrical Travel : 1640mm (CPP-45-150LS)
: 2235mm (CPP-45-200LS)
- Independent Linearity : $\pm 0.3\%FS$

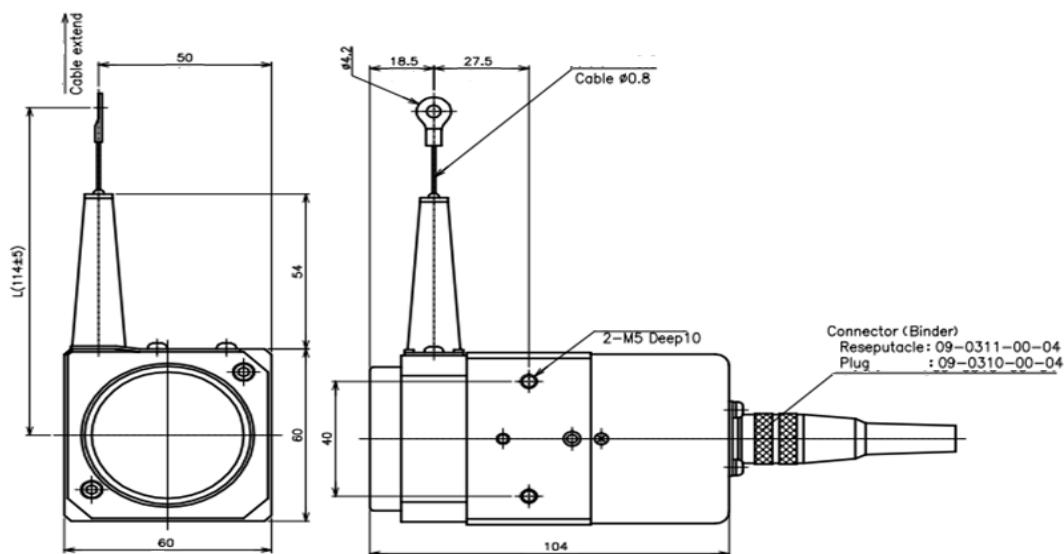
【Material】

- Housing : Aluminum
- Cable : Stainless Steel

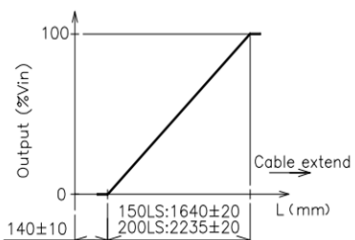
■ Dimension (mm)

CPP-45-150LS

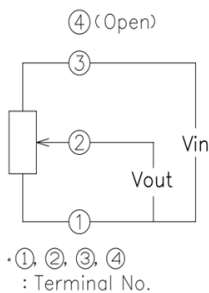
CPP-45-200LS



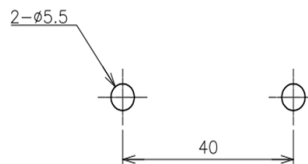
■ Output Characteristics



■ Schematic



■ Mounting



[Model No.]	CPP-45-150LS	CPP-45-200LS
-------------	--------------	--------------

Electrical Specifications		
Effective Electrical Travel	1640 mm ± 20 mm	2235 mm ± 20mm
Total Resistance	500, 1K, 2K, 5K, 10K, 20K Ω	
Total Resistance Tolerance	±15%	
Independent Linearity	±0.3%	
Rated Dissipation	3W /70℃	
Output Smoothness	0.1% MAX.	
Insulation Resistance	100 MΩ MIN. / DC1000V	
Dielectric Strength	AC1000V/ 1Minute	
Temperature Coefficient of Resistance	±400 ppm/K	

Mechanical Specifications	
Wire Tension	8N MAX.
Tracking	1 m/s MAX.
Mass	Approx. 650 g
Backlash	0.5% MAX.

Environmental Specifications	
Category Temperature Range	-5 ~ +60 ℃
Storage Temperature Range	-5 ~ +60 ℃

■ Accessories

Connector Plug : BINDER Parts#09-0310-00-04 (Mating Cable Outer Dimension : Φ8)

■ Accessories

- To avoid burnout of resistive element, do not supply more than 1mA current to terminal 2.
- Miswiring may cause burnout of resistive element.
- To reduce sliding noise, add load resistance should be more than 100times and less than 1000times of total resistance.
- Slight continuous vibration such as dither might cause short lifetime of the sensor.
- Do not pull cable over beyond the red mark on the cable.
- Do not retracted the cable freely.
- Particle bending of cable might be caused deformation of cable.
- Please be instructed water proofing of the connector from connector maker.