

Contactless Linear Sensor

# CPP-45-50LS Series

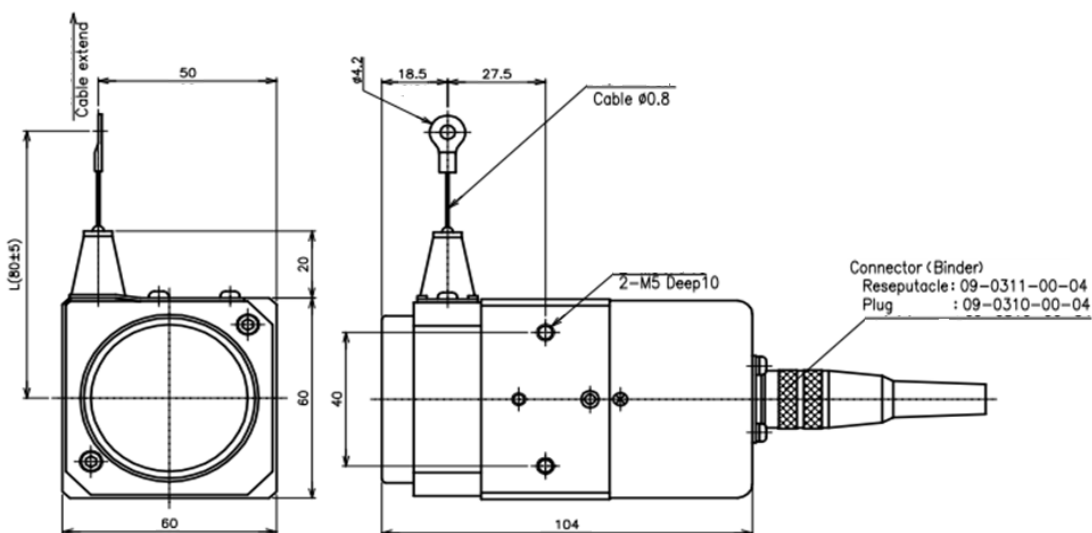


- Wire Extension Type Conductive Plastic Linear Sensor
- Effective Electrical Travel : 610 mm
- Independent Linearity :  $\pm 0.3\%FS$

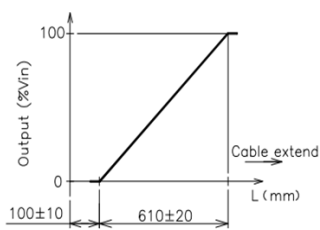
[Material]

- Housing : Aluminum
- Cable : Stainless Steel

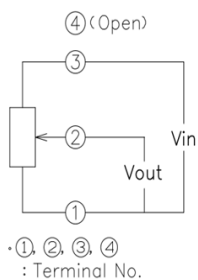
## ■ Dimension (mm)



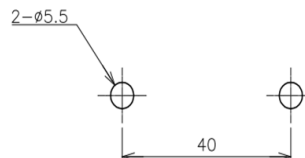
## ■ Output Characteristics



## ■ Schematic



## ■ Mounting



<b>[Model No.]</b>	<b>CPP-45-50LS</b>
--------------------	--------------------

<b>Electrical Specifications</b>	
Effective Electrical Travel	610 mm
Total Resistance	500, 1K, 2K, 5K, 10K, 20K $\Omega$
Total Resistance Tolerance	$\pm 15\%$
Independent Linearity	$\pm 0.3\%$
Rated Dissipation	3W /70 $^{\circ}$ C
Output Smoothness	0.1% MAX.
Insulation Resistance	100 M $\Omega$ MIN. / DC1000V
Dielectric Strength	AC1000V/ 1Minute
Temperature Coefficient of Resistance	$\pm 400$ ppm/K

<b>Mechanical Specifications</b>	
Wire Tension	8N MAX.
Tracking	MAX. 1 m/s
Mass	Approx. 650 g
Backlash	0.25% MAX.

<b>Environmental Specifications</b>	
Category Temperature Range	-5 ~ +60 $^{\circ}$ C
Storage Temperature Range	-5 ~ +60 $^{\circ}$ C

#### ■ Accessories

Connector Plug : BINDER Parts#09-0310-00-04 (Mating Cable Outer Dimension :  $\Phi 8$ )

#### ■ Accessories

- To avoid burnout of resistive element, do not supply more than 1mA current to terminal 2.
- Miswiring may cause burnout of resistive element.
- To reduce sliding noise, add load resistance should be more than 100times and less than 1000times of total resistance.
- Slight continuous vibration such as dither might cause short lifetime of the sensor.
- Do not pull cable over beyond the red mark on the cable.
- Do not retracted the cable freely.
- Particle bending of cable might be caused deformation of cable.
- Please be instructed water proofing of the connector from connector maker.