

Conductive Plastic Linear Sensor

LP-F-15 Series

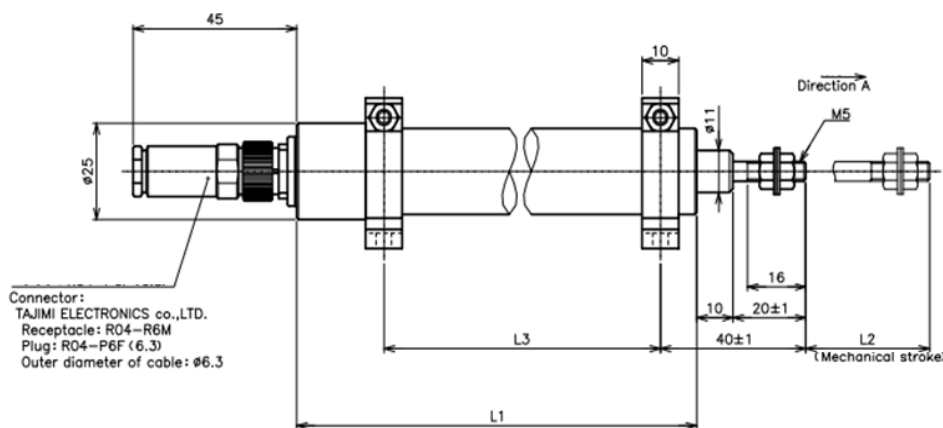


- Conductive Plastic Linear Sensor
- Effective Electrical Travel : 100 mm ±0.5mm (LP-100F-15)
: 150mm ± 0.5mm (LP-150F-15)
: 200mm ± 1mm (LP-200F-15)
: 250mm ± 1mm (LP-250F-15)
: 300mm ± 1mm (LP-300F-15)
- Independent Linearity : ±0.3% (Special Linearity ± 0.1%)

[Material]

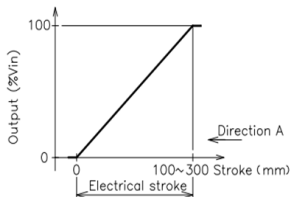
- Housing : Aluminum
- Shaft : Stainless Steel
- Bearing : Copper Alloy

Dimension (mm)

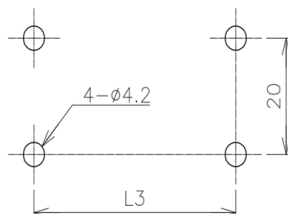


[Model No.]	LP-100F-15	LP-150F-15	LP-200F-15	LP-250F-15	LP-300F-15
Housing Length (L1)	152mm ±1mm	202mm ±1mm	252mm ±1mm	302mm ±1mm	352mm ±1mm
Mech. Stroke (L2)	103mm ±1mm	153mm ±1mm	203mm ±1mm	253mm ±1mm	303mm ±1mm
MTG Holes Spacing (L3)	118 mm	168 mm	218 mm	268 mm	318 mm

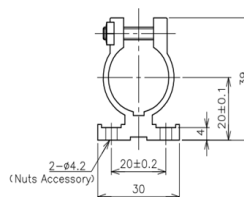
Output Characteristics



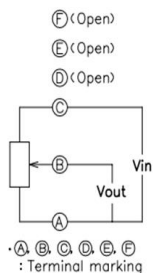
Mounting Holes



Mounting Foot



Schematic



【Model No.】	LP-100F-15	LP-150F-15	LP-200F-15	LP-250F-15	LP-300F-15
-------------	------------	------------	------------	------------	------------

Electrical Specifications

Effective Electrical Travel	100 mm± 0.5 mm	150 mm± 0.5 mm	200 mm± 1 mm	250 mm± 1 mm	300 mm± 1 mm
Total Resistance	1K, 2K, 5K, 10K Ω			2K, 5K, 10K Ω	
Total Resistance Tolerance	± 20 %				
Independent Linearity	± 0.3 % (Special Linearity ± 0.1%)				
Rated Dissipation	2W/70°C	3W/70°C	4 W/70°C		
Output Smoothness	MAX. 0.1%				
Insulation Resistance	MIN. 100MΩ/DC 500V				
Dielectric Strength	AC500 V/ 1 Minute				
Temperature Coefficient of Resistance	±400 ppm/K				

Mechanical Specifications

Friction	MAX. 4 N				
Mass	Approx. 340g	Approx. 370 g	Approx. 400 g	Approx. 430 g	Approx. 460 g

■ Accessories

Connector : R04-P6D (6.3) Maker : TAJIMI Electronics co., LTD
 Mounting Foot : M4 Nut 4 pieces each
 Shaft Joint : M5 Nut, Plain Washer 2pieces each

■ Handling Instruction

- To avoid burnout of resistive element, do not supply more than 1mA current to terminal B.
- Miswiring might cause burnout of resistive element.
- To reduce sliding noise, add load resistance should be more than 100times and less than 1000times of total resistance.
- Slight continuous vibration such as dither might cause short lifetime of the sensor.