

Contactless Hall-IC Angle Sensor

UV-JHA-03

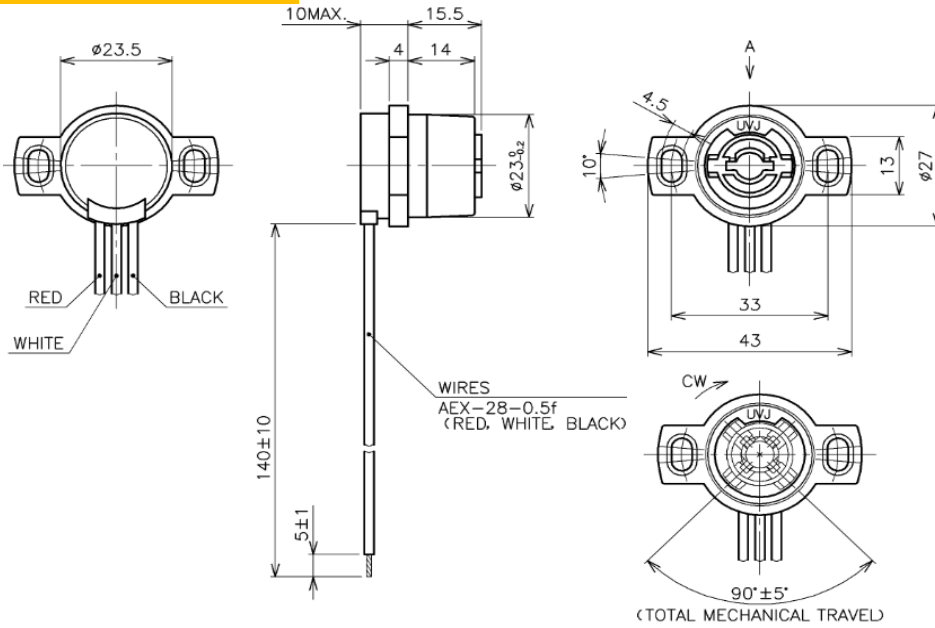


- Contactless Hall-IC Angle Sensor
- Effective Electrical Travel : $\pm 40^\circ$
- Independent Linearity: $\pm 1.5\%FS$
- Semi Hollow Shaft
- Negative Linear Output

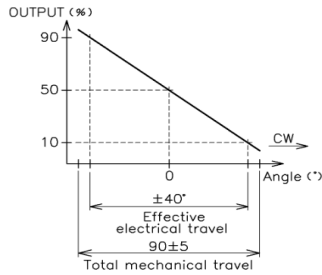
[Material]

- Housing : PBT
- Mounting Hole Insert : Nickel Plated

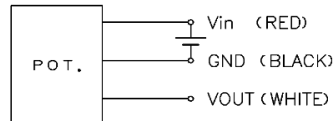
■ Dimension (mm)



■ Output Characteristics



■ Schematic



• RED, WHITE AND BLACK INDICATE WIRE COLORS.

[Model No.]	UV-JHA-03
--------------------	------------------

Electrical Specifications	
Effective Electrical Travel	±40°
Output Range	0.975 ~ 1.025%Vin
Independent Linearity	±1.5%FS
Input Voltage	DC5V±0.5V
Load Resistance	10KΩ MIN.
Supply Current	16mA MAX.
Insulation Resistance	100MΩ / DC50V MIN.
Temp. Characteristics: -30~100°C	@0° Position : ±0.7°, @±40°Position : ±0.7° (Reference Temp. 25°C)

Mechanical Specifications	
Total Mechanical Travel	90°±5° Endless
Torque	2mN · m MAX.
Mass	Approx. 30g

Environmental Specifications	
Category Temperature Range	-30°C~100°C
Storage Temperature Range	-40°C~100°C

■ Options

- Positive Linear Output : UV-JHA-02

■ Handling Instruction

- Do not use Hall-IC sensor as a variable resistor.
- This product may be influenced from external magnetic field.
- Use this sensor in the place where is protected from ESD.