

Contactless Hall-IC Angle Sensor

CP-2HK Series

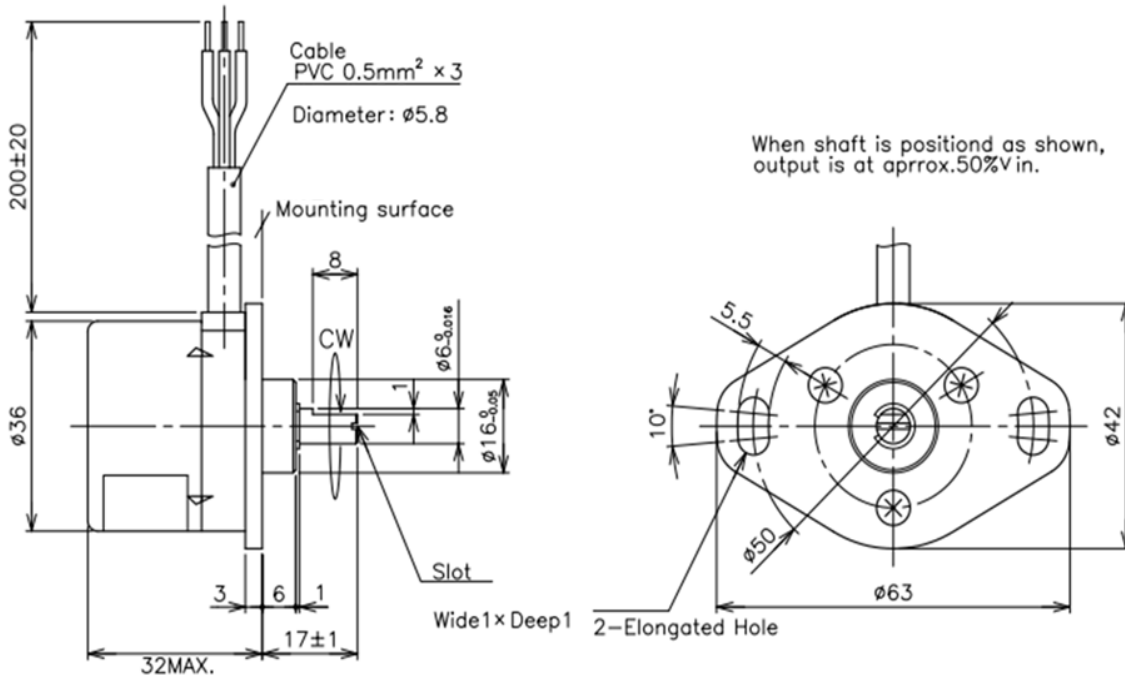


- Contactless Hall-IC Angle Sensor
- Effective Electrical Travel : $\pm 40^\circ$ (Option: 270°, 300°, 360°)
- Absolute Linearity : $\pm 1\%FS$ (Independent Linearity: $\pm 0.5\%FS$)
 - CP-2HK : Input Voltage DC5V $\pm 0.5V$
 - CP-2HK-8R : Input Voltage DC8V $\pm 0.5V$
 - CP-2HK-10R : Input Voltage DC10V $\pm 0.5V$

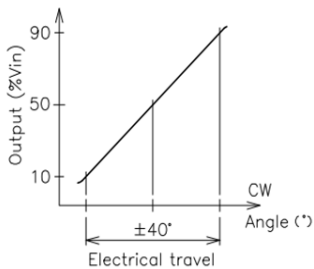
[Material]

- Housing : Aluminum
- Shaft : Stainless Steel
- Ball Bearing : Stainless Steel
- Cover : Steel, Nickel Plate

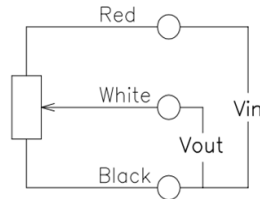
■ Dimension (mm)



■ Output Characteristics

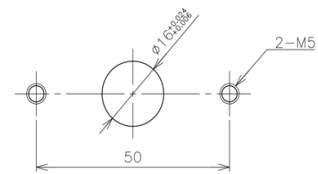


■ Schematic



• Red,White,Black indicate harness colors.

■ Mounting



[Model No.]	CP-2HK	CP-2HK-8R	CP-2HK-10R
-------------	--------	-----------	------------

Electrical Specifications			
Effective Electrical Travel	±40° (Option: ±135°, ±150°, ±180°)		
Output Range	10%~90%Vin		
Absolute Linearity	±1%FS FS=80° (Independent Linearity: ±0.5%FS)		
Input Voltage	DC5V±0.5V	DC8V±0.5V	DC10V±0.5V
Load Resistance	10KΩ MIN.		
Supply Current	11mA MAX.	13mA MAX.	
Output Resolution	12bit		
Hysteresis	0.1° M A X		
Temp. Characteristics : -40~+100℃ (Reference Temp. 25℃)	@0°Position : ±0.5° @±45°Position : ±0.5°	@0°Position : ±0.8° @±45°Position : ±0.8°	

Mechanical Specifications	
Total Mechanical Travel	360° Endless
Torque	2mN · m MAX.
Thrust Load Tolerance	4N
Radial Load Tolerance	14N
Mass	Approx. 65g

Environmental Specifications	
Life Cycles	50 Million Cycle MIN.
Category Temperature Range	-40 ~ +100 °C
Storage Temperature Range	-40 ~ +100 °C
Vibration	1000m/S ² 3axis 2hours each 5~500hz/6minutes
Shock	1000m/S ² 3axis 6directions 3 times each
EMS	100V/m 200MHz~1GHz
ESD (Case to each terminal)	±12KV (IEC61000-4-2)
ESD (Between each terminal)	±12KV (IEC61000-4-2)
LP Level	IP54 (Except shaft side from mounting surface)

■ Handling Instruction

- These products do not shielded with shaft bearing
- Do not use Hall-IC sensor as a variable resistor.
- This product may be influenced from external magnetic field.
- Use this sensor in the place where is protected from ESD.
- This model is available to remove mounting flange.