

Contactless Hall-IC Angle Sensor

CP-30H Series

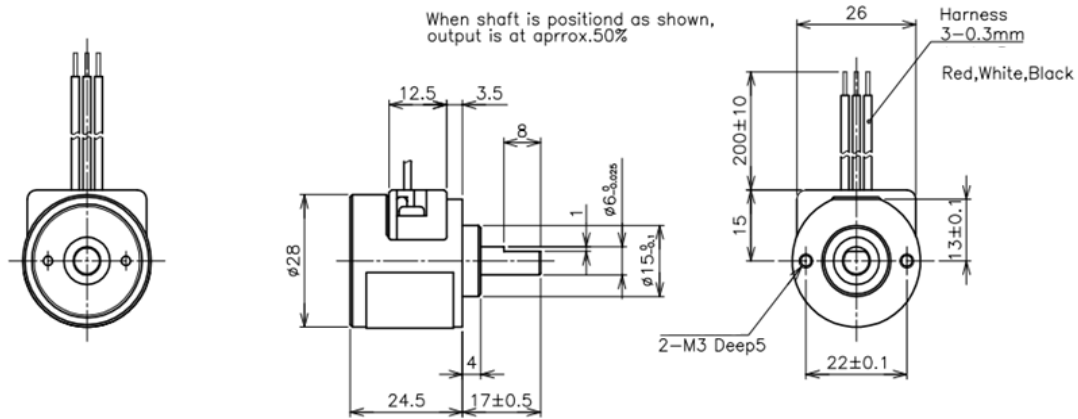


- Contactless Hall-IC Angle Sensor
- Effective Electrical Travel : $\pm 50^\circ$ (Option: $\pm 30^\circ$)
- Absolute Linearity : $\pm 6\%$ FS (Independent Linearity $\pm 3\%$ FS)

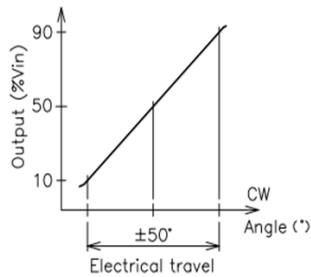
[Material]

- Housing : Aluminum
- Shaft : Stainless Steel
- Ball Bearing : Stainless Steel

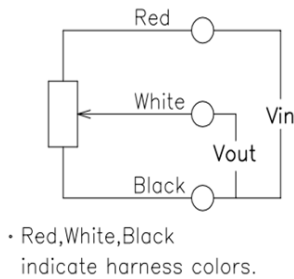
■ Dimension (mm)



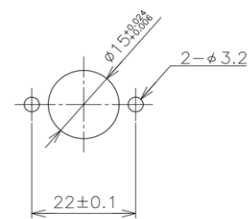
■ Output Characteristics



■ Schematic



■ Mounting



【Model No.】	CP-30H
--------------------	---------------

Electrical Specifications	
Effective Electrical Travel	±50° (Option : ±30°)
Output Range	10%~90%Vin
Absolute Linearity	±6%FS FS=100° (=Independent Linearity: ±3%FS)
Input Voltage	DC5V±0.5V
Load Resistance	10KΩ MIN.
Supply Current	10mA MAX.
Insulation Resistance	100MΩ / DC50V MIN.
Temp. Characteristics: -40~125℃	@0° Position : ±1.6°、@±50°Position : ±3.2° (Reference Temp. 25℃)

Mechanical Specifications	
Total Mechanical Travel	360° Endless
Torque	0.3mN · m MAX.
Thrust Load Tolerance	5 N
Radial Load Tolerance	10N
Mass	Approx. 50g

Environmental Specifications	
Life Cycles	±50°, 5Hz 10Million Cycle
Category Temperature Range	-20~+80℃
Storage Temperature Range	-40~+80℃
Vibration	100m/S ² 5-500Hz(6min), 3axis 2hours
Shock	500m/S ² 11ms 3axis 3times
EMS	50V/m 80k~1MHz
ESD (Cast to Each Terminal)	±7.5kV
ESD (Each Terminal)	±3.5kV
IP Level	IP50

■ Handling Instruction

- Do not use Hall-IC sensor as a variable resistor.
- This product may be influenced from external magnetic field.
- Use this sensor in the place where is protected from ESD.