

Conductive Plastic Angle Sensor

CPP-45SB Series

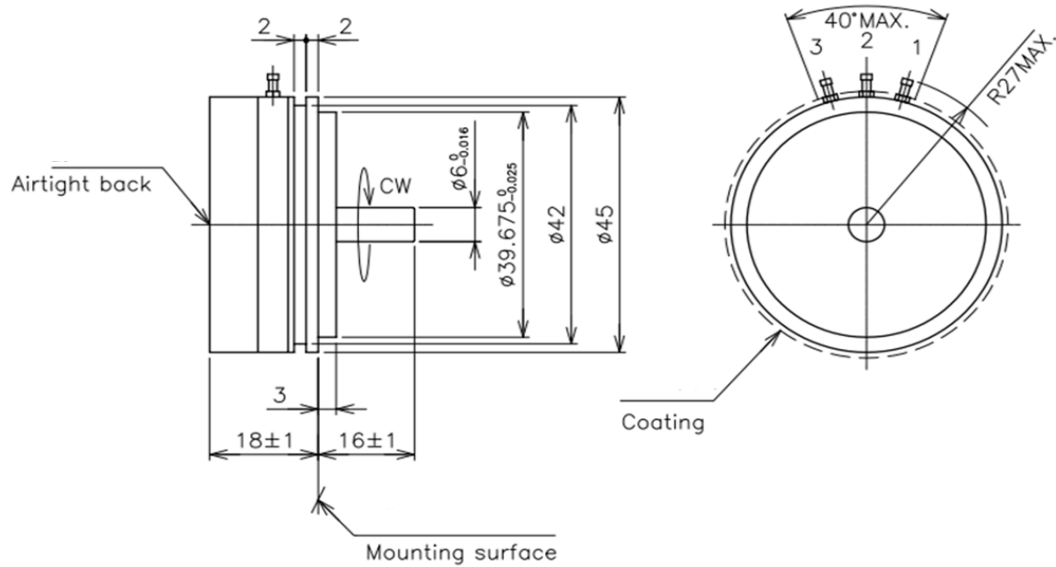


- Conductive Plastic Angle Sensor
- Effective Electrical Travel : 350°
- Independent Linearity : ±0.3% (Special Linearity : ±0.1%)
- Servo Mount
- Drip Proof

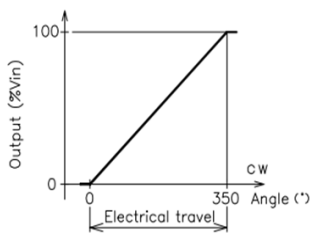
[Material]

- Housing : Aluminum
- Shaft : Stainless Steel
- Ball Bearing : Stainless Steel

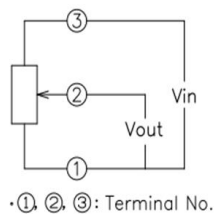
■ Dimension (mm)



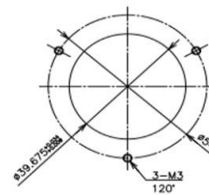
■ Output Characteristics



■ Schematic



■ Mounting



[Model No.]	CPP-45SB
--------------------	-----------------

Electrical Specifications	
Effective Electrical Travel	350° + 2°, - 3°
Total Resistance	0.5, 1K, 2K, 5K, 10K, 20K Ω
Total Resistance Tolerance	±15%
Independent Linearity	±0.3% (Special Linearity ±0.1%)
Rated Dissipation	3 W/70 °C
Output Smoothness	MAX. 0.1%
Insulation Resistance	MIN. 100MΩ/DC1000V
Dielectric Strength	AC1000V/ 1 Minute
TC of Resistance	±400 ppm/K

Mechanical Specifications	
Total Mechanical Travel	360° endless
Torque	15 mN · m MAX. (Additional 1.2mN · m/add one gang)
Thrust Load Tolerance	3N
Radial Load Tolerance	9N
Mass	Approx. 60g (Additional 10g/add one gang)

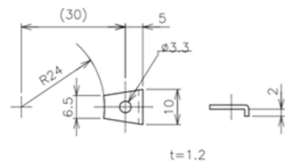
Environmental Specifications	
Life Cycles	10 Million Cycle
Category Temperature Range	-30 ~ +90 °C
Storage Temperature Range	-30 ~ +90 °C
Vibration	150m/S ² 2000Hz 3axis 2hours each
Shock	500m/S ² 11ms 6directions 3times
IP Level	IP54

■ Options

- Multi Ganging : up to 2 sections
- Additional Center Tap
 - C.T(A) ... No shorted angle
 - C.T(B) ... Shorted on tap (Shorted angle 1~5°)
- Screw Mount (M3 Tapped Holes) : CPP-45SB-3

■ Accessories

Mounting Cleats : 3 pieces



■ Handling Instruction

- To avoid burnout of resistive element, do not supply more than 1mA current to terminal 2.
- Miswiring might cause burnout of resistive element.
- To reduce sliding noise, add load resistance should be more than 100times and less than 1000times of total resistance.
- Slight continuous vibration such as dither might cause short lifetime of the sensor.