

Conductive Plastic (Screen Element) Angle Sensor

CP-2FBJ Series



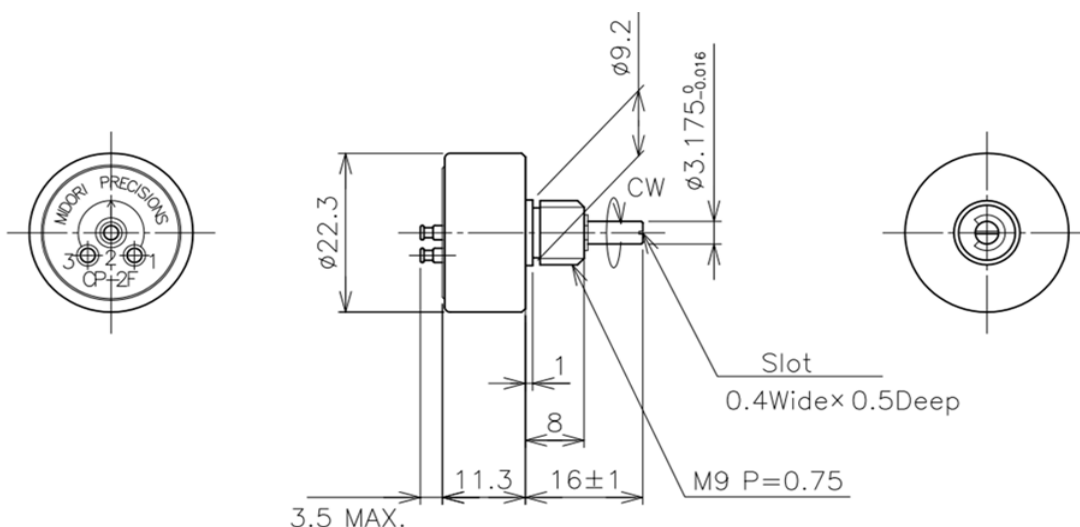
- Conductive Plastic Angle Sensor : **Screen Element**
- Effective Electrical Travel : 340°
- Independent Linearity : ±1%
- Bushing Mount
- Low Cost

- CP-2FB(b) J : Ball Bearing
- CP-2FB(m) J : Metal Sleeve Bearing

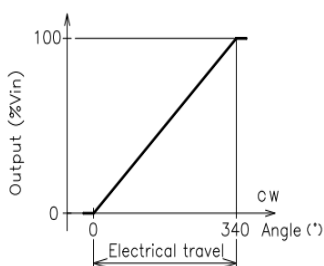
[Material]

- Housing : Aluminum
- Shaft : Stainless Steel
- Bearing CP-2FB(b) J ... Ball Bearing : Stainless Steel
CP-2FB(m) J ... Metal Sleeve Bearing : Copper Alloy

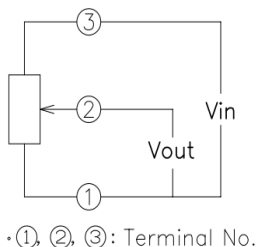
■ Dimension (mm)



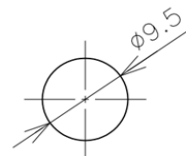
■ Output Characteristics



■ Schematic



■ Mounting



[Model No.]	CP-2FB(b) J	CP-2FB(m) J
	<Ball Bearing>	<Metal Sleeve Bearing>
Electrical Specifications		
Effective Electrical Travel	340° + 2°, -3°	
Total Resistance	1K, 2K, 5K, 10K Ω	
Total Resistance Tolerance	±20%	
Independent Linearity	±1%	
Rated Dissipation	0.5W/50°C	
Output Smoothness	MAX. 0.1%	
Insulation Resistance	MIN. 100MΩ/DC1000V	
Dielectric Strength	AC1000V/ 1 Minute	
TC of Resistance	±400 ppm/K	

Mechanical Specifications		
Total Mechanical Travel	360° endless	
Running Torque	MAX. 0.5mN · m	MAX.2mN · m
Thrust Load Tolerance	2N	
Radial Load Tolerance	5N	
Mass	Approx. 20g	

Environmental Specifications		
Life Cycles	10 Million Cycle	
Category Temperature Range	-40 ~ +100 °C	
Storage Temperature Range	-40 ~ +100 °C	
Vibration	150m/S ² 2000Hz 3axis 2hours each	
Shock	500m/S ² 11ms 6directions 3times	

■ Accessories

M9 nut

Inner tooth lock washer 1 piece each

■ Handling Instruction

- To avoid burnout of resistive element, do not supply more than 1mA current to terminal 2.
- Miswiring might cause burnout of resistive element.
- To reduce sliding noise, add load resistance should be more than 100times and less than 1000times of total resistance.
- Slight continuous vibration such as dither might cause short lifetime of the sensor.

